

Product change notification (PCN)

Title / short description	Improvement to the tape-on-reel packaging for unshielded M12-THR items
Affected article category	Connectors
Change category	Packaging, Form and appearance
Change number	AAB170072-01

Purpose/objective of the change

As part of the ongoing improvement process, the packaging of the items listed above will be changed.

Detailed description of the change

The tape-on-reel packaging of unshielded M12 THR items has been changed slightly to optimize the feed-in of the THR components. The dimensional changes are shown in the attached document. Both the pocket depth and also the geometry of the pocket have been optimized to improve feed-in. The insulating bodies sit higher in the tape-on-reel packaging, therefore optimizing the gripping or suction action. This change has no effect on the technical properties of the connector. If you have any questions or need our support due to this changeover, please contact the sales team responsible.

Identifying characteristics

All changed units can be recognized by their increased production batches.

Start of Production (SOP)	-	Last Time Delivery (LTD)	-
Effective date (EOP)	2020-10-01	End of Service (EOSR)	-
End of Sales (EOS)	-		

Short-term change (< 6 months) or discontinuation (< 12 months), due to:

- | | | |
|---|--|--|
| <input type="checkbox"/> Software / Firmware Bugfix | <input type="checkbox"/> Short-term delivery stop by supplier | <input type="checkbox"/> Short-term recall by supplier |
| <input type="checkbox"/> Force majeure | <input checked="" type="checkbox"/> Product improvement with customer benefits | |
| <input type="checkbox"/> Others | | |

Attachments

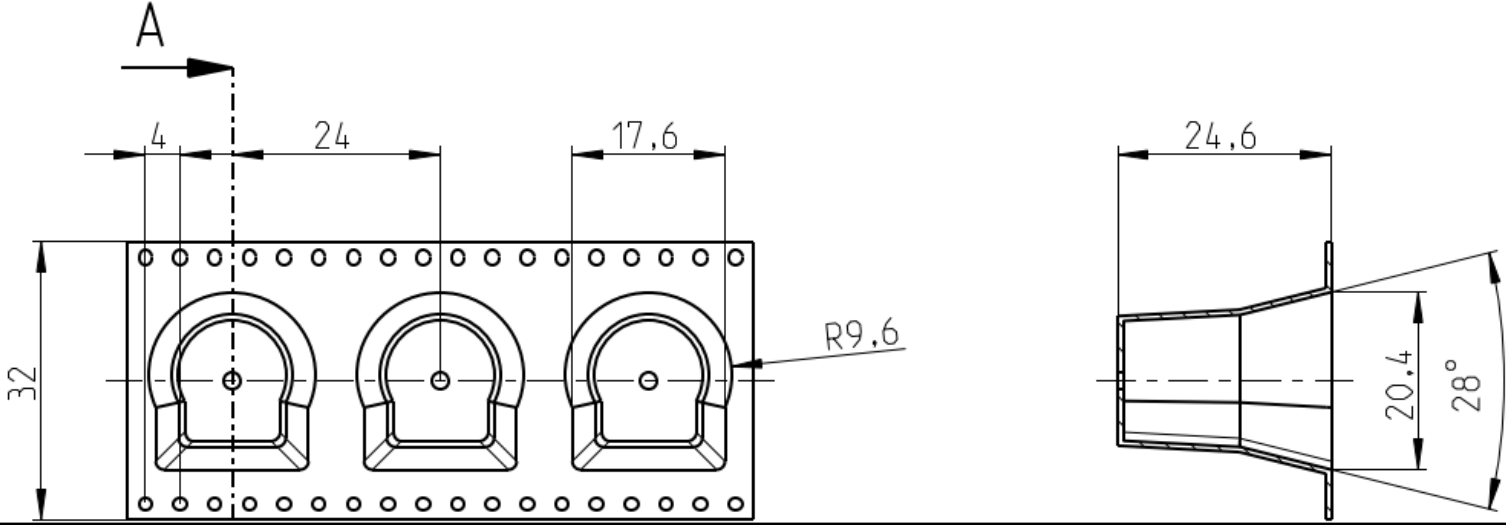
- AAB170072_picture.pdf
- Material_list.csv
- PCN-AAB170072-01 Verbesserung des Gurts für ungeschirmte M12-THR-Artikel_DE
- PCN-AAB170072-01 Improvement to the tape-on-reel packaging for unshielded M12-THR items_EN

Material list

Item	Article Type	Hardware old	Firmware new	Item	Substitute item Type
1409258	SACC-CI-M12MS-5CON-TOR32 WG	3	4		
1417869	SACC-CI-M12MS-17CON- TOR 32 WP	3	4		
1421712	SACC-CI-M12FS-8CON-TOR32 WG	2	3		
1421713	SACC-CI-M12FS-5CON-TOR32 WG	2	3		
1440180	SACC-CI-M12MS-5CON-L180 THRW	5	6		
1440193	SACC-CI-M12FS-5CON-L180 THRW	4	5		
1457490	SACC-CI-M12MS- 4CON-TOR 32	3	4		
1457526	SACC-CI-M12MS- 5CON-TOR 32	3	4		
1457555	SACC-CI-M12MS- 8CON-TOR 32	3	4		
1457571	SACC-CI-M12MS- 12CON-TOR 32	3	4		
1457597	SACC-CI-M12MS-17CON- TOR 32	3	4		
1457610	SACC-CI-M12FS-4CON-TOR 32	4	5		
1457649	SACC-CI-M12FS-5CON TOR 32	3	4		
1457678	SACC-CI-M12FS-8CON- TOR 32	3	4		
1457694	SACC-CI-M12FS-12CON-TOR 32	6	7		
1457717	SACC-CI-M12FS-17CON-TOR 32	5	6		
1057262	SACC-CI-M12MS- 8CON-TOR 32 50E	2	3		
1057261	SACC-CI-M12FS-8CON-TOR 32 50E	2	3		
1057264	SACC-CI-M12FS-5CON TOR 32 50E	2	3		
1410698	SACC-CI-M12FS-17CON-TOR 32 WP	3	4		

AAB170072

Current:



New:

